

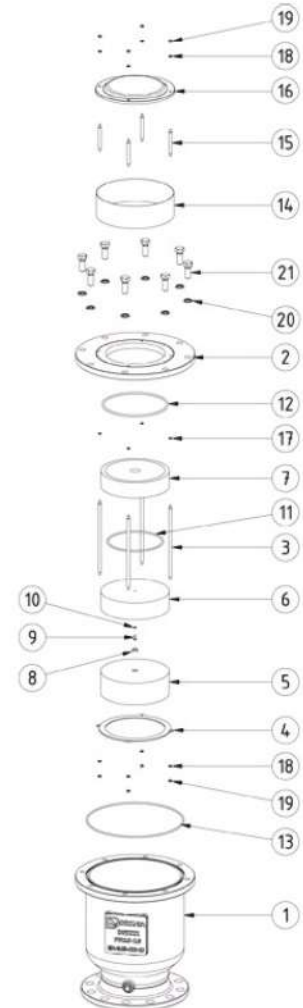
eko11000

PN10/16/25/40 DARBESİZ DİNAMİK VANTUZ



## PARÇA & MALZEME LİSTESİ

Nu	Parça	Malzeme
1	Gövde	GGG40
2	Kapak	AISI304
3	Mil	AISI304
4	Alt Tablo	AISI304
5	Alt Yüzer Eleman	HDPE
6	Orta Yüzer Eleman	HDPE
7	Üst Yüzer Eleman	HDPE
8	Conta	EPDM
9	Sübab	AISI304
10	O-Ring	NBR
11	O-Ring	NBR
12	O-Ring	NBR
13	O-Ring	NBR
14	Filtre Kapağı	AISI304
15	Pim	AISI304
16	Filtre Kapağı	AISI304
17	Fiber Conta	Fiber
18	Rondale	A2 (AISI304)
19	Altı Köşe Somun	A2 (AISI304)
20	Rondale	A2 (AISI304)
21	Altı Köşe Civata	A2 (AISI304)



eko11000

PN10/16/25/40 DARBESİZ DİNAMİK VANTUZ



## TEKNİK ÇİZİM



## ÖLÇÜ TABLOSU

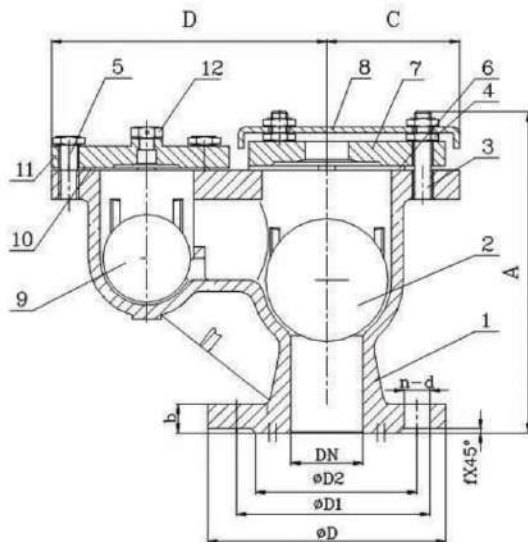
DN (mm)	H (mm)	D (mm)	W (kg)	Kapasite (nl/s)
50	245	164	12	60
80	280	210	18	160
100	310	220	27	250
150	320	240	55	520
200	480	408	100	1020
250	610	495	130	1570
300	730	595	190	2260





## Double Orifice Air Valve

- Design standard: DIN3352
- Flange: DIN 2501
- Test standard: BS6755
- Work temperature: NBR  $\leq 80^{\circ}$   
EPDM  $\leq 120^{\circ}$



### Main components and their materials:

NUM	Name	Material
1	Body	Ductile Iron(GGG50)
2	Ball	ABS / SS 1.4572
3	Bolts	SS316
4	Nuts	SS316
5	Bolts	SS316
6	Ball Seal Large Orifice	NBR
7	Large Cover	Ductile Iron(GGG50)
8	Large Up Cover	Ductile Iron(GGG50)
9	Small Ball	ABS / SS 1.4572
10	Small Orifice	Ductile Iron(GGG50)
11	Small Up Cover	Ductile Iron(GGG50)
12	Air Release Nuts	Brass

### Dimensions & Weight

DN	40	50	65	80	100	150	200	250	300
A	215	215	215	240	285	385	500	630	765
C	115	115	115	145	145	190	205	235	245
D	187	187	187	230	300	369	398	452	497
Flange: DIN2501 PN16									
D	150	165	185	200	220	285	340	405	460
D1	110	125	145	160	180	240	295	355	410
D2	84	99	118	132	156	211	266	319	374
n-d	4-19	4-19	4-19	8-19	8-19	8-23	12-23	12-28	12-28
b	19	19	19	19	19	19	20	22	32
f	2	3	3	3	3	3	3	3	3
KG/PCS	13	14	17	20	26	61	120	185	230
Flange: DIN2501 PN25									
D	150	165	185	200	235	300	360	425	485
D1	110	125	145	160	190	250	310	370	430
D2	84	99	118	132	165	211	274	330	390
n-d	4-19	4-19	4-19	8-19	8-19	8-23	12-23	12-28	16-30
b	19	19	19	19	19	19	20	22	38
f	3	3	3	3	3	3	3	3	3
KG/PCS	14	15	18	21	28	64	125	195	268