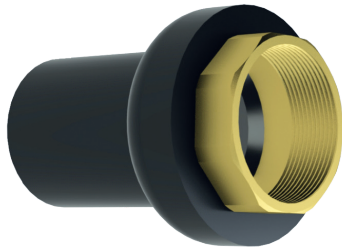
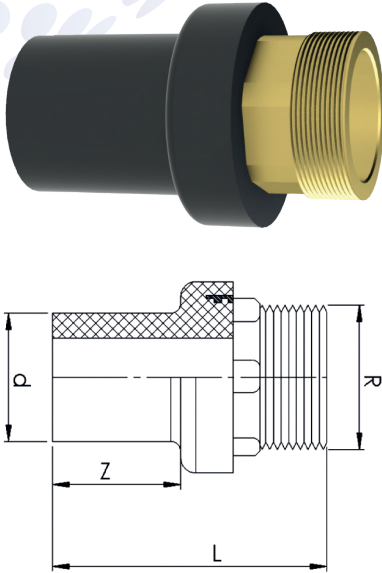


## PE - METAL DIŞ DIŞLI GEÇİŞ PE-METAL MALE THREADED TRANSITION ПЭ-МЕТАЛ ПЕРЕХОД С НАРУЙ РЕЗЬБОЙ

Material: Brass + PE100 / Standart: TS EN 1555-3:2010 + A 1 • TS EN 12201-3 + A 1

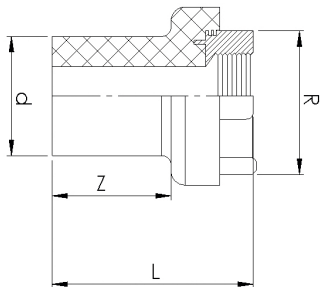
d	R (inch)	Article No	Bar	L	Z	Weight (kg)	Pack (pc)
Ø20	1/2"	DD001600002077	PN16	45	83	0.084	250
Ø25	3/4"	DD001600002577	PN16	45	83	0.104	150
Ø32	3/4"	DD001600003277	PN16	51	89	0.118	100
Ø32	1"	DD001600003277	PN16	47	96	0.175	100
Ø40	1 1/4"	DD001600004077	PN16	56	118	0.412	60
Ø50	1 1/2"	DD001600005077	PN16	56	119	0.512	30
Ø63	2"	DD001600006377	PN16	69	137	0.610	30
Ø75	2 1/2"	DD001600007577	PN16	80	155	0.820	15
Ø90	3"	DD001600009077	PN16	83	165	1.205	8
Ø110	4"	DD001600011077	PN16	85	168	1.800	5
Ø125	4"	DD001600012577	PN16	88	171	2.400	5



## PE - METAL İÇ DIŞLI GEÇİŞ PE-METAL FEMALE THREADED TRANSITION ПЭ-МЕТАЛ ПЕРЕХОД С НАРУЙ РЕЗЬБОЙ

Material: Brass + PE100 / Standart: TS EN 1555-3:2010 + A 1 • TS EN 12201-3 + A 1

d	R (inch)	Article No	Bar	L	Z	Weight (kg)	Pack (pc)
Ø20	1/2"	İD001600002077	PN16	46	70	0.048	250
Ø25	3/4"	İD001600002577	PN16	45	71	0.076	150
Ø32	1"	İD001600003277	PN16	47	81	0.138	100
Ø40	1 1/4"	İD001600004077	PN16	56	100	0.307	60
Ø50	1 1/2"	İD001600005077	PN16	68	116	0.292	30
Ø63	2"	İD001600006377	PN16	68	116	0.478	25
Ø75	2 1/2"	İD001600007577	PN16	75	122	0.833	15
Ø90	3"	İD001600009077	PN16	80	142	1.140	10
Ø110	4"	İD001600011077	PN16	83	138	1.442	5
Ø125	4"	İD001600012577	PN16	85	168	1.800	5



## PE - ÇELİK KAYNAK AĞIZLI GEÇİŞ PE - STEEL WELDABLE TRANSITION ПЭ-СТАЛЬ ПЕРЕХОДНИК ПОД СВАРКУ

Steel / Material: PE100 / Standart: TS EN 1555-3:2010 + A1 • TS EN 12201-3 + A1

d	R (inch)	Article No	Bar	L	L1	Z	Weight (kg)	Pack (pc)
Ø20	1/2"	KA001600002077	PN16	185	75	325	0.342	30
Ø25	3/4"	KA001600002577	PN16	180	85	330	0.520	30
Ø32	1"	KA001600003277	PN16	170	95	345	0.576	16
Ø40	1 1/4"	KA001600004077	PN16	175	100	355	0.972	9
Ø50	1 1/2"	KA001600005077	PN16	172	100	355	1.055	9
Ø63	2"	KA001600006377	PN16	175	110	355	1.688	9
Ø75	2 1/2"	KA001600007577	PN16	140	135	385	2.450	4
Ø90	3"	KA001600009077	PN16	180	145	440	3.075	4
Ø110	4"	KA001600011077	PN16	195	160	470	5.510	2
Ø125	4"	KA001600012577	PN16	225	210	515	7.165	2
Ø160	6"	KA001600016077	PN16	200	175	465	13.962	1
Ø180	6"	KA001600018077	PN16	310	220	620	15.105	1
Ø200	8"	KA001600020077	PN16	325	250	660	22.947	1
Ø225	8"	KA001600022577	PN16	305	235	640	25.495	1
Ø250	10"	KA001600025077	PN16	340	245	680	34.420	1
Ø280	10"	KA001600028077	PN16	300	220	620	44.495	1
Ø315	12"	KA001600031577	PN16	265	200	610	52.500	1
Ø355	14"	KA001600035577	PN16	365	235	750	98.000	1
Ø400	16"	KA001600040077	PN16	370	220	770	114.000	1
Ø450	18"	KA001600045077	PN16	367	230	767	150.000	1
Ø500	20"	KA001600050077	PN16	370	220	760	184.000	1

