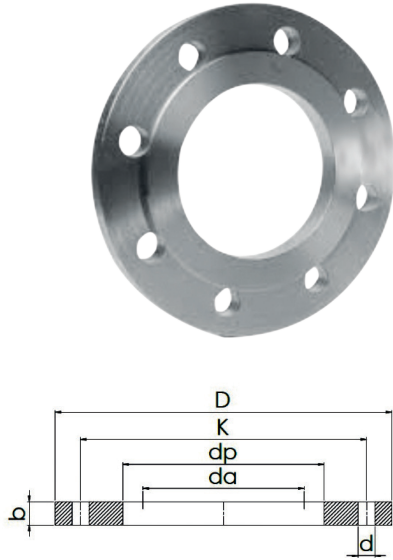


ÇELİK FLANŞ STEEL FLANGE СТАЛЬНОЙ ФЛАНЕЦ

Standart: TS ISO 7005-1. TS EN 1092-1 + A 1



d	da (steel)	Article No	Bar	dp	K	D	d	b	Holes	Weight (kg)	Pack (pc)
Ø20	Ø15	FN001000002088	PN10	28	65	95	14	14	4	0.650	1
		FN001600002088	PN16	28	65	95	14	14	4	0.650	1
Ø25	Ø20	FN001000002588	PN10	34	75	105	14	16	4	0.910	1
		FN001600002588	PN16	34	75	105	14	16	4	0.910	1
Ø32	Ø25	FN001000003288	PN10	42	85	115	14	16	4	1.060	1
		FN001600003288	PN16	42	85	115	14	16	4	1.060	1
Ø40	Ø32	FN001000004088	PN10	51	100	140	18	16	4	1.550	1
		FN001600004088	PN16	51	100	140	18	16	4	1.550	1
Ø50	Ø40	FN001000005088	PN10	62	110	150	18	16	4	1.720	1
		FN001600005088	PN16	62	110	150	18	16	4	1.720	1
Ø63	Ø50	FN001000006388	PN10	78	125	165	18	18	4	2.210	1
		FN001600006388	PN16	78	125	165	18	18	4	2.210	1
Ø75	Ø65	FN001000007588	PN10	92	145	185	18	18	4	2.720	1
		FN001600007588	PN16	92	145	185	18	18	4	2.720	1
Ø90	Ø80	FN001000009088	PN10	108	160	200	18	20	8	3.180	1
		FN001600009088	PN16	108	160	200	18	20	8	3.180	1
Ø110	Ø100	FN001000011088	PN10	125	180	220	18	20	8	3.730	1
		FN001600011088	PN16	125	180	220	18	20	8	3.730	1
Ø125	Ø100	FN001000012588	PN10	135	180	220	18	20	8	3.410	1
		FN001600012588	PN16	135	180	220	18	20	8	3.410	1
Ø140	Ø125	FN001000014088	PN10	158	210	250	18	22	8	4.750	1
		FN001600014088	PN16	158	210	250	18	22	8	4.750	1
Ø160	Ø150	FN001000016088	PN10	178	240	285	22	22	8	6.210	1
		FN001600016088	PN16	178	240	285	22	22	8	6.210	1
Ø180	Ø150	FN001000018088	PN10	188	240	285	22	22	8	5.710	1
		FN001600018088	PN16	188	240	285	22	22	8	5.710	1
Ø200	Ø200	FN001000020088	PN10	235	295	340	22	24	8	8.380	1
		FN001600020088	PN16	235	295	340	22	24	8	8.380	1
Ø200	Ø225	FN001000022588	PN10	238	295	340	22	24	8	8.170	1
		FN001600022588	PN16	238	295	340	22	24	8	8.170	1
Ø250	Ø250	FN001000025088	PN10	288	350	395	22	26	12	10.810	1
		FN001600025088	PN16	288	350	395	22	26	12	10.810	1
Ø250	Ø280	FN001000028088	PN16	294	350	395	22	26	12	10.250	1
		FN001600028088	PN16	294	355	405	26	26	12	11.160	1
Ø300	Ø315	FN001000030088	PN10	338	400	445	22	26	12	12.530	1
		FN001600030088	PN16	338	410	460	26	28	12	15.440	1
Ø350	Ø355	FN001000035088	PN10	376	460	505	22	26	16	17.020	1
		FN001600035088	PN16	376	470	520	26	30	16	21.920	1
Ø400	Ø400	FN001000040088	PN10	430	515	565	26	26	16	19.850	1
		FN001600040088	PN16	430	525	580	30	32	16	27.110	1
Ø450	Ø450	FN001000045088	PN10	465	565	615	26	28	20	25.690	1
		FN001600045088	PN16	465	585	640	30	34	20	36.850	1
Ø500	Ø500	FN001000050088	PN10	533	620	670	26	28	20	26.180	1
		FN001600050088	PN16	533	650	715	33	34	20	43.150	1
Ø600	Ø560	FN001000060088	PN10	618	725	780	30	28	20	36.070	1
		FN001600060088	PN16	618	770	840	36	36	20	66.240	1
Ø600	Ø630	FN001000063088	PN10	645	725	780	30	28	20	30.170	1
		FN001600063088	PN16	645	770	840	36	36	20	58.660	1
Ø700	Ø710	FN001000070088	PN10	740	840	895	30	30	24	42.980	1
		FN001600070088	PN16	740	840	910	36	36	24	55.490	1
Ø800	Ø800	FN001000080088	PN10	843	950	1015	33	32	24	58.030	1
		FN001600080088	PN16	843	950	1025	39	38	24	71.270	1
Ø900	Ø900	FN001000090088	PN10	947	1050	1125	33	34	28	66.380	1
		FN001600090088	PN16	947	1050	1125	39	40	28	80.640	1
Ø1000	Ø1000	FN001000100088	PN10	1050	1160	1230	36	34	28	78.610	1
		FN001600100088	PN16	1050	1170	1255	42	42	28	109.830	1
Ø1200	Ø1200	FN001000120088	PN10	1250	1380	1455	39	38	32	118.790	1
		FN001600120088	PN16	1250	1390	1455	48	48	32	168.790	1
Ø1400	Ø1400	FN001000140088	PN10	1460	1590	1675	42	42	36	158.470	1
		FN001600140088	PN16	1460	1590	1685	48	52	36	200.750	1
Ø1600	Ø1600	FN001000160088	PN10	1650	1820	1915	48	46	40	242.370	1
		FN001600160088	PN16	1650	1820	1930	55	58	40	315.930	1

ÇELİK KÖR FLANŞ STEEL BLIND FLANGE СТАЛЬНОЙ ГЛУХОЙ ФЛАНЕЦ

Standart: TS ISO 7005-1. TS EN 1092-1 + A1

d	da (steel)	Article No	Bar	K	D	d	b	Holes	Weight (kg)	Pack (pc)
Ø20	Ø15	FN001000002088	PN10	65	95	14	14	4	0.710	1
		FN001600002088	PN16	65	95	14	14	4	0.710	1
Ø25	Ø20	FN001000002588	PN10	75	105	16	14	4	1.010	1
		FN001600002588	PN16	75	105	16	14	4	1.010	1
Ø32	Ø25	FN001000003288	PN10	85	115	16	14	4	1.230	1
		FN001600003288	PN16	85	115	16	14	4	1.230	1
Ø40	Ø32	FN001000004088	PN10	100	140	16	18	4	1.810	1
		FN001600004088	PN16	100	140	16	18	4	1.810	1
Ø50	Ø40	FN001000005088	PN10	110	150	16	18	4	2.100	1
		FN001600005088	PN16	110	150	16	18	4	2.100	1
Ø63	Ø50	FN001000006388	PN10	125	165	18	18	4	2.880	1
		FN001600006388	PN16	125	165	18	18	4	2.880	1
Ø75	Ø65	FN001000007588	PN10	145	185	18	18	4	3.660	1
		FN001600007588	PN16	145	185	18	18	4	3.660	1
Ø90	Ø80	FN001000009088	PN10	160	200	20	18	8	4.620	1
		FN001600009088	PN16	160	200	20	18	8	4.620	1
Ø110	Ø100	FN001000011088	PN10	180	220	20	18	8	5.660	1
		FN001600011088	PN16	180	220	20	18	8	5.660	1
Ø125	Ø100	FN001000012588	PN10	180	220	20	18	8	5.660	1
		FN001600012588	PN16	180	220	20	18	8	5.660	1
Ø140	Ø125	FN001000014088	PN10	210	250	22	18	8	8.150	1
		FN001600014088	PN16	210	250	22	18	8	8.150	1
Ø160	Ø150	FN001000016088	PN10	240	285	22	22	8	10.520	1
		FN001600016088	PN16	240	285	22	22	8	10.520	1
Ø180	Ø150	FN001000018088	PN10	240	285	22	22	8	10.520	1
		FN001600018088	PN16	240	285	22	22	8	10.520	1
Ø200	Ø200	FN001000020088	PN10	295	340	24	22	8	16.570	1
		FN001600020088	PN16	295	340	24	22	12	16.280	1
Ø200	Ø225	FN001000022588	PN10	295	340	24	22	8	16.570	1
		FN001600022588	PN16	295	340	24	22	12	16.280	1
Ø250	Ø250	FN001000025088	PN10	350	395	26	22	12	24.140	1
		FN001600025088	PN16	350	395	26	26	12	25.050	1
Ø250	Ø280	FN001000028088	PN16	350	395	26	22	12	24.140	1
		FN001600028088	PN16	355	405	26	26	12	25.050	1
Ø300	Ø315	FN001000030088	PN10	400	445	26	22	12	30.890	1
		FN001600030088	PN16	410	460	26	28	12	35.210	1
Ø350	Ø355	FN001000035088	PN10	460	505	26	22	16	39.730	1
		FN001600035088	PN16	470	520	26	30	16	48.130	1
Ø400	Ø400	FN001000040088	PN10	515	565	26	26	16	49.560	1
		FN001600040088	PN16	525	580	30	32	16	63.680	1
Ø450	Ø450	FN001000045088	PN10	565	615	38	26	20	63.110	1
		FN001600045088	PN16	585	640	30	34	20	82.280	1
Ø500	Ø500	FN001000050088	PN10	620	670	28	26	20	75.340	1
		FN001600050088	PN16	650	715	33	34	20	102.840	1
Ø600	Ø560	FN001000060088	PN10	725	780	28	30	20	102.160	1
		FN001600060088	PN16	770	840	36	36	20	151.220	1
Ø600	Ø630	FN001000063088	PN10	725	780	28	30	20	102.160	1
		FN001600063088	PN16	770	840	36	36	20	151.220	1
Ø700	Ø710	FN001000070088	PN10	840	895	30	30	24	144.510	1
		FN001600070088	PN16	840	910	36	36	24	177.320	1
Ø800	Ø800	FN001000080088	PN10	950	1015	32	33	24	198.570	1
		FN001600080088	PN16	950	1025	39	38	24	238.160	1
Ø900	Ø900	FN001000090088	PN10	1050	1115	34	33	28	254.820	1
		FN001600090088	PN16	1050	1125	39	40	28	332.330	1
Ø1000	Ø1000	FN001000100088	PN10	1150	1230	34	36	28	310.270	1
		FN001600100088	PN16	1170	1255	42	42	28	395.990	1
Ø1200	Ø1200	FN001000120088	PN10	1380	1455	38	39	32	485.730	1
		FN001600120088	PN16	1390	1455	48	48	32	632.290	1
Ø1400	Ø1400	FN001000140088	PN10	1590	1675	42	42	36	711.740	1
		FN001600140088	PN16	1590	1685	52	48	36	885.760	1
Ø1600	Ø1600	FN001000160088	PN10	1820	1915	46	48	40	1.016.320	1
		FN001600160088	PN16	1820	1930	55	58	40	1.291.780	1

