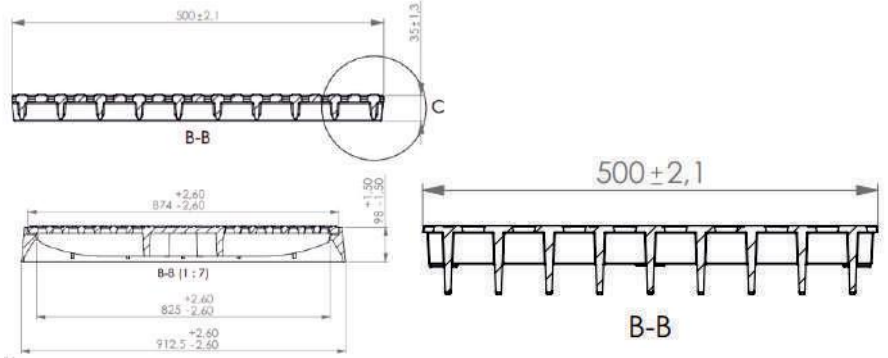




## Teknik Çizim

/ Technical Draw



CODE - KOD	UYGULAMA / APPLICATION	YÜK SINIFI / LOAD CLASS	MALZEME / MATERIAL	BOYA / PAINT	DİŞ ÖLÇÜLER / EXTERNAL DIMENSIONS	KG
M130	Beton Lineer Kanal Üzerine ( On Reinforced Concrete Linear Channel )	D400	GGG 50	BİTÜM BOYA BİTÜMEN PAINT	Ø 918 mm x 918 mm x 80 mm	7 ± 1 kg
M131		D400			Ø 150 mm x 500 mm x 35 mm	8 ± 1 kg
M132		D400			Ø 200 mm x 500 mm x 35 mm	10 ± 1 kg
M132A		C250			Ø 200 mm x 500 mm x 20 mm	7 ± 1 kg
M133		D400			Ø 250 mm x 500 mm x 35 mm	11 ± 1 kg
M134		D400			Ø 300 mm x 500 mm x 35 mm	14 ± 1 kg
M135		D400			Ø 300 mm x 500 mm x 35 mm	14 ± 1 kg
M1138		D400			Ø 375 mm x 500 mm x 45 mm	21 ± 2 kg
M135.0007		E600			Ø 350 mm x 500 mm x 35 mm	36 ± 2 kg
M136		D400			Ø 400 mm x 500 mm x 45 mm	23 ± 2 kg
M136A		C250			Ø 400 mm x 500 mm x 45 mm	140 ± 5 kg
M137		D400			Ø 450 mm x 500 mm x 45 mm	25 ± 2 kg
M138		C250			Ø 500 mm x 500 mm x 45 mm	27 ± 2 kg
M138A		C250			Ø 500 mm x 500 mm x 45 mm	23 ± 2 kg
M138C		F900			Ø 500 mm x 500 mm x 45 mm	44 ± 3 kg
M1137		D400			Ø 575 mm x 500 mm x 45 mm	38 ± 3 kg
M138B		D400			Ø 600 mm x 500 mm x 45 mm	32 ± 3 kg
M139		D400			Ø 650 mm x 500 mm x 45 mm	40 ± 3 kg
M1388		D400			Ø 590 mm x 500 mm x 45 mm	34 ± 3 kg
M1389		D400			Ø 690 mm x 500 mm x 45 mm	41 ± 3 kg
M1390		D400			Ø 840 mm x 500 mm x 45 mm	59 ± 3 kg
M1370		D400			Ø 590 mm x 590 mm x 45 mm	52 ± 3 kg
M1370A		D400			Ø 990 mm x 500 mm x 45 mm	65 ± 3 kg
STD200P		D400			Ø 750 mm x 200 mm x 30 mm	14 ± 1 kg
STD250P		D400			Ø 750 mm x 250 mm x 30 mm	16 ± 1 kg
STD300P		D400			Ø 750 mm x 300 mm x 30 mm	18 ± 2 kg
STD400P		D400			Ø 750 mm x 400 mm x 30 mm	30 ± 2 kg